

# High-Temp Industries

Superior Quality  
Comprehensive Services  
Unequaled Value

## Thermocouples 2012

Phone 215-794-0864

Fax 215-794-7583

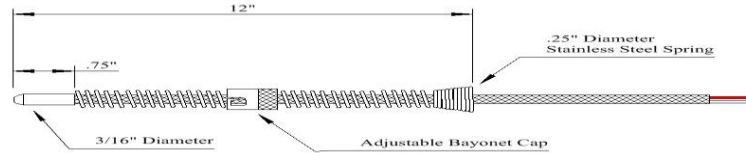
[www.high-temp.com](http://www.high-temp.com)

## Table of Contents

Adjustable Depth Thermocouples .....	3
Stock Washer Style Surface Thermocouples.....	7
Bendable General Purpose Thermocouples .....	10
Non-Stock Bendable Probe Thermocouples .....	11
Type NB Newbury Nozzle Thermocouple .....	13
Fixed Melt Bolt Thermocouples .....	14
Retractable Melt Thermocouples .....	15
Shallow Nozzle Thermocouples .....	15
MgO Insulated Thermocouples.....	18
MI Thermocouples .....	20
OEM DME Replacement Thermocouples.....	21
OEM Husky Replacement Thermocouples.....	24
OEM Mold Master Thermocouples.....	25

# Adjustable Depth Thermocouples Stainless Steel Overbraid

## 3/16" Diameter Probe, .245" Diameter Spring with Bayonet Cap



### Type J Grounded with Spade Lugs

HTI PART NUMBER	LEAD LENGTH	LIST PRICE
JBS24-G1-24R1	24"	\$17.20
JBS36-G1-24R1	36"	\$19.80
JBS48-G1-24R1	48"	\$22.40
JBS72-G1-24R1	72"	\$27.60
JBS96-G1-24R1	96"	\$32.80
JBS120-G1-24R1	120"	\$38.00
JBS144-G1-24R1	144"	\$43.20

### Type K Grounded with Spade Lugs

HTI PART NUMBER	LEAD LENGTH	LIST PRICE
KBS24-G1-24R1	24"	\$18.25
KBS36-G1-24R1	36"	\$21.80
KBS48-G1-24R1	48"	\$25.35
KBS72-G1-24R1	72"	\$32.45
KBS96-G1-24R1	96"	\$39.55
KBS120-G1-24R1	120"	\$46.65
KBS144-G1-24R1	144"	\$53.75

### Type J Grounded with Polarized Plug

HTI PART NUMBER	LEAD LENGTH	LIST PRICE
JBS24-G1-24R2	24"	\$29.10
JBS36-G1-24R2	36"	\$31.70
JBS48-G1-24R2	48"	\$34.30
JBS72-G1-24R2	72"	\$39.50
JBS96-G1-24R2	96"	\$44.70
JBS120-G1-24R2	120"	\$49.90
JBS144-G1-24R2	144"	\$55.10

### Type K Grounded with Polarized Plug

HTI PART NUMBER	LEAD LENGTH	LIST PRICE
KBS24-G1-24R2	24"	\$31.25
KBS36-G1-24R2	36"	\$34.80
KBS48-G1-24R2	48"	\$38.35
KBS72-G1-24R2	72"	\$45.45
KBS96-G1-24R2	96"	\$52.55
KBS120-G1-24R2	120"	\$59.65
KBS144-G1-24R2	144"	\$66.75

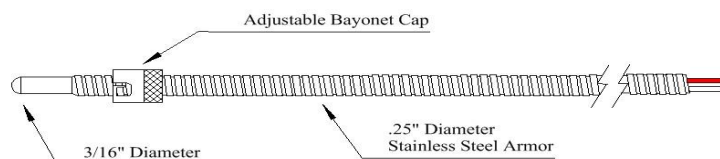
### Type J with Ungrounded Spade Lugs

HTI PART NUMBER	LEAD LENGTH	LIST PRICE
JBS24-U1-24R1	24"	\$21.95
JBS36-U1-24R1	36"	\$24.55
JBS48-U1-24R1	48"	\$27.15
JBS72-U1-24R1	72"	\$32.35
JBS96-U1-24R1	96"	\$37.55
JBS120-U1-24R1	120"	\$42.75
JBS144-U1-24R1	144"	\$47.95

### Type K Ungrounded with Spade Lugs

HTI PART NUMBER	LEAD LENGTH	LIST PRICE
KBS24-G1-24R2	24"	\$24.25
KBS36-G1-24R2	36"	\$27.80
KBS48-G1-24R2	48"	\$30.35
KBS72-G1-24R2	72"	\$35.45
KBS96-G1-24R2	96"	\$40.55
KBS120-G1-24R2	120"	\$45.65
KBS144-G1-24R2	144"	\$50.75

# Adjustable Depth Thermocouples Stainless Steel Armor 3/16" Diameter Probe, Bayonet Cap, Type AC



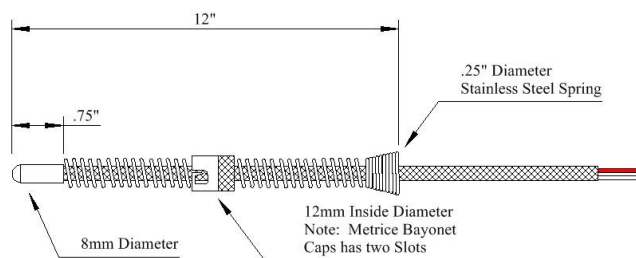
Type J Grounded with Spade Lugs		
HTI PART NUMBER	LEAD LENGTH	LIST PRICE
JAC24-G1-24R1	24"	\$20.30
JAC36-G1-24R1	36"	\$24.10
JAC48-G1-24R1	48"	\$27.90
JAC72-G1-24R1	72"	\$35.50
JAC96-G1-24R1	96"	\$43.10
JAC120-G1-24R1	120"	\$50.70
JAC144-G1-24R1	144"	\$58.30

Type K Grounded with Spade Lugs		
HTI PART NUMBER	LEAD LENGTH	LIST PRICE
KAC24-G1-24R1	24"	\$22.60
KAC36-G1-24R1	36"	\$26.95
KAC48-G1-24R1	48"	\$31.30
KAC72-G1-24R1	72"	\$40.00
KAC96-G1-24R1	96"	\$48.70
KAC120-G1-24R1	120"	\$57.40
KAC144-G1-24R1	144"	\$66.10

TYPE J GROUNDED WITH POLARIZED PLUG		
HTI PART NUMBER	LEAD LENGTH	LIST PRICE
JAC24-G1-24R2	24"	\$32.20
JAC36-G1-24R2	36"	\$36.00
JAC48-G1-24R2	48"	\$39.80
JAC72-G1-24R2	72"	\$47.40
JAC96-G1-24R2	96"	\$55.00
JAC120-G1-24R2	120"	\$62.60
JAC144-G1-24R2	144"	\$70.20

TYPE K GROUNDED WITH POLARIZED PLUG		
HTI PART NUMBER	LEAD LENGTH	LIST PRICE
KAC24-G1-24R2	24"	\$35.60
KAC36-G1-24R2	36"	\$39.95
KAC48-G1-24R2	48"	\$44.30
KAC72-G1-24R2	72"	\$53.00
KAC96-G1-24R2	96"	\$61.70
KAC120-G1-24R2	120"	\$70.40
KAC144-G1-24R2	144"	\$79.10

**Stock 12 mm Adjustable Depth Thermocouples  
4.5 mm Diameter Probe.  
12 mm Bayonet Cap with 8mm Diameter Sprig.  
SS Overbraid. All Grounded. Type BS Metric**

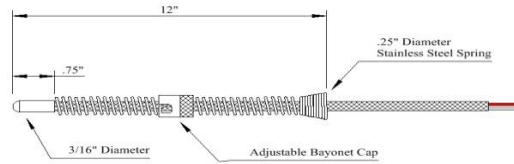


HTI PART NUMBER	TYPE J OR K	LEAD LENGTH	LIST PRICE
JBS39-G1-24R1-1	J	39"	\$45.95
JBS78-G1-24R1-1	J	78"	\$53.95
JBS118-G1-24R1-1	J	118"	\$62.20
JBS157-G1-24R1-1	J	157"	\$70.25
KBS39-G1-24R1-1	K	39"	\$47.35
KBS78-G1-24R1-1	K	78"	\$58.40
KBS118-G1-24R1-1	K	118"	\$69.70
KBS157-G1-24R1-1	K	157"	\$80.75

**Stock 14 mm Adjustable Depth Thermocouples  
8 mm Diameter Probe. 14 mm Bayonet Cap with 8mm Diameter Sprig.  
SS Overbraid. All Grounded**

HTI PART NUMBER	TYPE J OR K	LEAD LENGTH	LIST PRICE
JBS39-G1-24R1-2	J	39"	\$79.00
JBS78-G1-24R1-2	J	78"	\$87.45
JBS118-G1-24R1-2	J	118"	\$96.10
JBS157-G1-24R1-2	J	157"	\$104.55
KBS39-G1-24R1-2	K	39"	\$80.75
KBS78-G1-24R1-2	K	78"	\$92.40
KBS118-G1-24R1-2	K	118"	\$104.30
KBS157-G1-24R1-2	K	157"	\$115.90

Stock Adjustable Depth RTD Sensors  
 3/16" Diameter Probe.  
 .240" Diameter Spring with Bayonet Cap. SS Overbraid



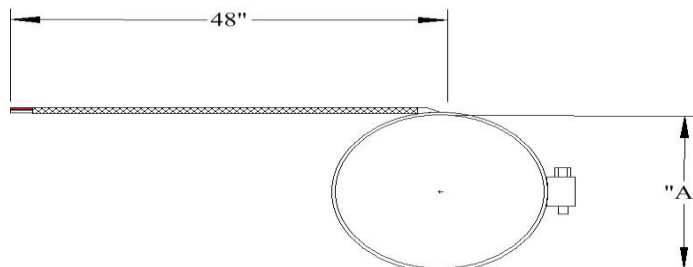
HTI PART NUMBER	LEAD LENGTH	LIST PRICE
RTDBS24-G1-24R1	24"	\$58.25
RTDBS48-G1-24R1	48"	\$67.70
RTDBS72-G1-24R1	72"	\$77.20
RTDBS96-G1-24R1	96"	\$86.65
RTDB120-G1-24R1	120"	\$96.15
RTDBS144-G1-24R1	144"	\$105.65

Stock Washer Style Surface Thermocouples Type WN and Type WQ  
 3/16" and 5/16" Stud Sizes Available.  
 Type J and K. Stainless Steel Overbraid



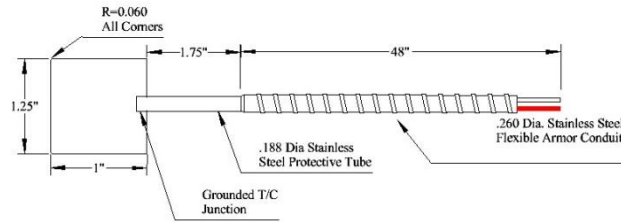
HTI PART NUMBER	TYPE	STUD SIZE	LEAD LENGTH	LIST PRICE
JWN36-G1-24R1	J	3/16"	36"	\$17.65
JWN48-G1-24R1	J	3/16"	48"	\$20.25
JWN60-G1-24R1	J	3/16"	60"	\$22.85
JWN72-G1-24R1	J	3/16"	72"	\$25.45
JWN96-G1-24R1	J	3/16"	96"	\$30.65
JWN120-G1-24R1	J	3/16"	120"	\$35.85
JWQ36-G1-24R1	J	5/16"	36"	\$17.65
JWQ48-G1-24R1	J	5/16"	48"	\$20.25
JWQ60-G1-24R1	J	5/16"	60"	\$22.85
JWQ72-G1-24R1	J	5/16"	72"	\$25.45
JWQ96-G1-24R1	J	5/16"	96"	\$30.65
JWQ120-G1-24R1	J	5/16"	120"	\$35.85
KWN36-G1-24R1	K	3/16"	36"	\$20.55
KWN48-G1-24R1	K	3/16"	48"	\$24.10
KWN60-G1-24R1	K	3/16"	60"	\$27.65
KWN72-G1-24R1	K	3/16"	72"	\$31.20
KWN96-G1-24R1	K	3/16"	96"	\$38.30
KWN120-G1-24R1	K	3/16"	120"	\$44.50
KWQ36-G1-24R1	K	5/16"	36"	\$20.55
KWQ48-G1-24R1	K	5/16"	48"	\$24.10
KWQ60-G1-24R1	K	5/16"	60"	\$27.65
KWQ72-G1-24R1	K	5/16"	72"	\$31.20
KWQ96-G1-24R1	K	5/16"	96"	\$38.30
KWQ120-G1-24R1	K	5/16"	120"	\$45.40

**Stock Hose Clamp Style Thermocouples Type HC**  
**1/2" Wide Clamp with 7/16" Hexagon and Screw Drive Slot.**  
**Type J and K. 48" Stainless Steel**



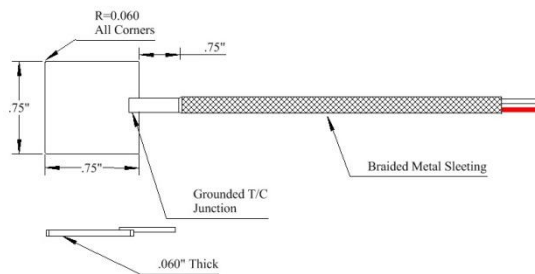
HTI PART NUMBER	TYPE	"A" CLAMPING RANGE	LIST PRICE
JHC48-G0-24R1	J	3/8" - 7/8"	\$24.25
JHC48-G1-24R1	J	1-1/16" - 1-1/2"	\$26.01
JHC48-G2-24R1	J	1-9/16" - 2-1/2"	\$29.65
JHC48-G3-24R1	J	2-1/2" - 3-3/8"	\$31.50
JHC48-G4-24R1	J	2-13/16" - 3-3/4"	\$32.00
JHC48-G5-24R1	J	3- 9/16" - 4- 1/2"	\$32.45
JHC48-G6-24R1	J	4- 5/8" - 5-1/2"	\$32.85
JHC48-G7-24R1	J	5- 5/8" - 6-1/2"	\$33.30
KHC48-G0-24R1	K	3/8" - 7/8"	\$28.20
KHC48-G1-24R1	K	1-1/16" - 1-1/2"	\$29.90
KHC48-G2-24R1	K	1-9/16" - 2-1/2"	\$33.55
KHC48-G3-24R1	K	2-1/2" - 3-3/8"	\$35.35
KHC48-G4-24R1	K	2-13/16" - 3-3/4"	\$35.80
KHC48-G5-24R1	K	3- 9/16" - 4- 1/2"	\$36.25
KHC48-G6-24R1	K	4- 5/8" - 5-1/2"	\$36.70
KHC48-G7-24R1	K	5- 5/8" - 6-1/2"	\$37.60

## Stock Shim Style Surface Thermocouples Type J and K with Armor Cable Type CH



HTI PART NUMBER	TYPE	LEAD LENGTH	LIST PRICE
JCH48-G1-24R1	J	48"	\$28.85
JCH72-G1-24R1	J	72"	\$34.05
KSH48-G1-24R1	K	48"	\$33.10
KSH72-G1-24R1	K	72"	\$39.20

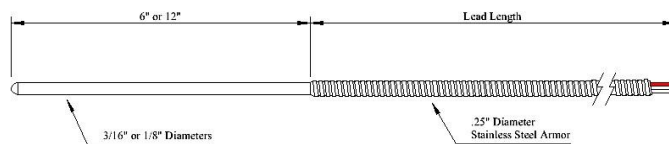
## Type SH Shim Style Thermocouples with SS Braid All grounded with spade lugs



## Stock Shim Style Surface Thermocouples Type J and K. Stainless Steel Overbraid Type SH

HTI PART NUMBER	TYPE	LEAD LENGTH	LIST PRICE
JSH48-G1-24R1	J	48"	\$25.85
JSH72-G1-24R1	J	72"	\$31.05
KSH48-G1-24R1	K	48"	\$29.10
KSH72-G1-24R1	K	72"	\$36.20

# Bendable General Purpose Thermocouples



## Stock Bendable Probe Thermocouple Type BPC 1/8" Diameter Probe. 1/8" NPT Compression Fitting. SS Armor. Spade Lugs.

HTI PART NUMBER	TYPE	PROBE LENGTH	LEAD LENGTH	LIST PRICE
JBPC48-G6-24R1	J	6"	48"	\$40.70
JBPC72-G6-24R1	J	6"	72"	\$48.30
JBPC120-G6-24R1	J	6"	120"	\$63.50
JBPC48-G12-24R1	J	12"	48"	\$44.10
JBPC72-G12-24R1	J	12"	72"	\$51.70
JBPC120-G1224R1	J	12"	120"	\$66.90
KBPC48-G6-24R1	K	6"	48"	\$42.95
KBPC72-G6-24R1	K	6"	72"	\$51.65
KBPC120-G6-24R1	K	6"	120"	\$69.05
KBPC48-G12-24R1	K	12"	48"	\$46.40
KBPC72-G12-24R1	K	12"	72"	\$55.10
KBPC120-G12-24R1	K	12"	120"	\$72.50

## Stock Bendable Probe Thermocouple Type BPD 3/16" Diameter Probe. 1/8" NPT Compression Fitting. SS Armor. Spade Lugs.

HTI PART NUMBER	TYPE	PROBE LENGTH	LEAD LENGTH	LIST PRICE
JBPD48-G6-24R1	J	6"	48"	\$40.70
JBPD72-G6-24R1	J	6"	72"	\$48.30
JBPD120-G6-24R1	J	6"	120"	\$63.50
JBPD48-G12-24R1	J	12"	48"	\$44.10
JBPD72-G12-24R1	J	12"	72"	\$51.70
JBPD120-G1224R1	J	12"	120"	\$66.90
KBPD48-G6-24R1	K	6"	48"	\$42.95
KBPD72-G6-24R1	K	6"	72"	\$51.65
KBPD120-G6-24R1	K	6"	120"	\$69.05
KBPD48-G12-24R1	K	12"	48"	\$46.40
KBPD72-G12-24R1	K	12"	72"	\$55.10
KBPD120-G12-24R1	K	12"	120"	\$72.50

# Non-Stock Bendable Probe Thermocouples

## 1/8" diameter 304 SS probe. Price includes first 6" of probe. Grounded. 24 ga. Bare leads with Spade lugs

	1 ft	2 ft	3 ft	4 ft	5 ft	6 ft	7 ft	8 ft	9 ft	10 ft	11 ft	12 ft.	Per ft.
Type J	\$19.00	\$21.40	\$23.80	\$26.20	\$28.60	\$31.00	\$33.40	\$35.80	\$38.20	\$40.60	\$43.00	\$45.40	\$2.40
Type K	\$19.45	\$22.30	\$25.15	\$28.00	\$30.85	\$33.70	\$36.55	\$39.40	\$42.25	\$45.10	\$47.95	\$50.80	\$2.85

## 1/8" diameter 304 SS probe. Price includes first 6" of probe. Grounded. 24 ga. SS braided leads with Spade lugs

	1 ft	2 ft	3 ft	4 ft	5 ft	6 ft	7 ft	8 ft	9 ft	10 ft	11 ft	12 ft.	Per ft.
Type J	\$19.60	\$22.20	\$24.80	\$27.40	\$30.00	\$32.60	\$35.20	\$37.80	\$40.40	\$43.00	\$45.60	\$48.20	\$2.60
Type K	\$20.40	\$23.95	\$27.50	\$31.05	\$34.60	\$38.15	\$41.70	\$45.25	\$48.80	\$52.35	\$55.90	\$59.45	\$3.55

## 1/8" diameter 304 SS probe. Price includes first 6" of probe. Grounded. 24 ga. Leads with SS conduit. Spade lugs

	1 ft	2 ft	3 ft	4 ft	5 ft	6 ft	7 ft	8 ft	9 ft	10 ft	11 ft	12 ft.	Per ft.
Type J	\$24.25	\$28.05	\$31.85	\$35.65	\$39.45	\$43.25	\$47.05	\$50.85	\$54.65	\$58.45	\$62.25	\$66.05	\$3.80
Type K	\$24.55	\$28.90	\$33.25	\$37.60	\$41.95	\$46.30	\$50.65	\$55.00	\$59.35	\$63.70	\$68.05	\$72.40	\$4.35

## 3/16" diameter 304 SS probe. Price includes first 6" of probe. Grounded. 24 ga. Bare Leads with Spade lugs

	1 ft	2 ft	3 ft	4 ft	5 ft	6 ft	7 ft	8 ft	9 ft	10 ft	11 ft	12 ft.	Per ft.
Type J	\$17.50	\$19.90	\$22.30	\$24.70	\$27.10	\$29.50	\$31.90	\$34.30	\$36.70	\$39.10	\$41.50	\$43.90	\$2.40
Type K	\$18.05	\$20.90	\$23.75	\$26.60	\$29.45	\$32.30	\$35.15	\$38.00	\$40.85	\$43.70	\$46.55	\$49.40	\$2.85

## 3/16" diameter 304 SS probe. Price includes first 6" of probe. Grounded. 24 ga. SS braided leads with Spade lugs

	1 ft	2 ft	3 ft	4 ft	5 ft	6 ft	7 ft	8 ft	9 ft	10 ft	11 ft	12 ft.	Per ft.
Type J	\$17.70	\$20.30	\$22.90	\$25.50	\$28.10	\$30.70	\$33.30	\$35.90	\$38.50	\$41.10	\$43.70	\$46.30	\$2.60
Type K	\$18.70	\$22.25	\$25.80	\$29.35	\$32.90	\$36.45	\$40.00	\$43.55	\$47.10	\$50.65	\$54.20	\$57.75	\$3.55

## 3/16" diameter 304 SS probe. Price includes first 6" of probe. Grounded. 24 ga. Leads with SS conduit. Spade lugs

	1 ft	2 ft	3 ft	4 ft	5 ft	6 ft	7 ft	8 ft	9 ft	10 ft	11 ft	12 ft.	Per ft.
Type J	\$19.60	\$23.40	\$27.20	\$31.00	\$34.80	\$38.60	\$42.40	\$46.20	\$50.00	\$53.80	\$57.60	\$61.40	\$3.80
Type K	\$20.65	\$25.00	\$29.35	\$33.70	\$38.05	\$42.40	\$46.75	\$51.10	\$55.45	\$59.80	\$64.15	\$68.50	\$4.35

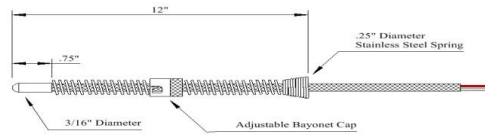
## 1/4" diameter 304 SS probe. Price includes first 6" of probe. Grounded. 24 ga. SS braided leads with Spade lugs

	1 ft	2 ft	3 ft	4 ft	5 ft	6 ft	7 ft	8 ft	9 ft	10 ft	11 ft	12 ft.	Per ft.
Type J	\$19.75	\$22.35	\$24.95	\$27.55	\$30.15	\$32.75	\$35.35	\$37.95	\$40.55	\$43.15	\$45.75	\$48.35	\$2.60
Type K	\$20.60	\$24.40	\$28.20	\$32.00	\$35.80	\$39.60	\$43.40	\$47.20	\$51.00	\$54.80	\$58.60	\$62.40	\$3.80

## 1/4" diameter 304 SS probe. Price includes first 6" of probe. Grounded. 24 ga. Leads with SS conduit. Spade lugs

	1 ft	2 ft	3 ft	4 ft	5 ft	6 ft	7 ft	8 ft	9 ft	10 ft	11 ft	12 ft.	Per ft.
Type J	\$33.10	\$36.90	\$40.70	\$44.50	\$48.30	\$52.10	\$55.90	\$59.70	\$63.50	\$67.30	\$71.10	\$74.90	\$3.80
Type K	\$33.40	\$37.75	\$42.10	\$46.45	\$50.80	\$55.15	\$59.50	\$63.85	\$68.20	\$72.55	\$76.90	\$81.25	\$4.35

# Adjustable Depth Thermocouples with Stainless Steel Overbraid 3/16" diameter probe. 240" diameter spring with Bayonet Cap.



## Type J Grounded with Spade Lugs

HTI PART NUMBER	LEAD LENGTH	LIST PRICE
JBS24-G1-24R1	24"	\$17.20
JBS36-G1-24R1	36"	\$19.80
JBS48-G1-24R1	48"	\$22.40
JBS72-G1-24R1	72"	\$27.60
JBS96-G1-24R1	96"	\$32.80
JBS120-G1-24R1	120"	\$38.00
JBS144-G1-24R1	144"	\$43.20

## Type K Grounded with Spade Lugs

HTI PART NUMBER	LEAD LENGTH	LIST PRICE
KBS24-G1-24R1	24"	\$18.25
KBS36-G1-24R1	36"	\$21.80
KBS48-G1-24R1	48"	\$25.35
KBS72-G1-24R1	72"	\$32.45
KBS96-G1-24R1	96"	\$39.55
KBS120-G1-24R1	120"	\$46.65
KBS144-G1-24R1	144"	\$53.75

## Type J Grounded with Polarized Plug

HTI PART NUMBER	LEAD LENGTH	LIST PRICE
JBS24-G1-24R2	24"	\$29.10
JBS36-G1-24R2	36"	\$31.70
JBS48-G1-24R2	48"	\$34.30
JBS72-G1-24R2	72"	\$39.50
JBS96-G1-24R2	96"	\$44.70
JBS120-G1-24R2	120"	\$49.90
JBS144-G1-24R2	144"	\$55.10

## Type K Grounded with Polarized Plug

HTI PART NUMBER	LEAD LENGTH	LIST PRICE
KBS24-G1-24R2	24"	\$31.25
KBS36-G1-24R2	36"	\$34.80
KBS48-G1-24R2	48"	\$38.35
KBS72-G1-24R2	72"	\$45.45
KBS96-G1-24R2	96"	\$52.55
KBS120-G1-24R2	120"	\$59.65
KBS144-G1-24R2	144"	\$66.75

## Type J Ungrounded with Spade Lugs

HTI PART NUMBER	LEAD LENGTH	LIST PRICE
JBS24-U1-24R1	24"	\$21.95
JBS36-U1-24R1	36"	\$24.55
JBS48-U1-24R1	48"	\$27.15
JBS72-U1-24R1	72"	\$32.35
JBS96-U1-24R1	96"	\$37.55
JBS120-U1-24R1	120"	\$42.75
JBS144-U1-24R1	144"	\$47.95

Type NB Newbury Nozzle Thermocouple.  
 1/8" Diameter Probe. 1" Long x 90 Degree Bend  
 Spring Strain Relief. Stainless Steel Braid



**Stock Newbury Nozzle Thermocouples**

PART NUMBER	TYPE	LIST PRICE
JNB48-G2-24R1	Newbury 48" overall length	\$22.55
JNB72-G2-24R1	Newbury 72" overall length	\$27.75

**Non-Stock Newbury Nozzle Thermocouples**

	1 ft	2 ft	3 ft	4 ft	5 ft	6 ft	7 ft	8 ft	9 ft	10 ft	11 ft	12 ft.
<b>Type J</b>	\$14.75	\$17.35	\$19.95	\$22.55	\$25.15	\$27.75	\$30.35	\$32.95	\$35.55	\$38.1	\$40.75	\$43.35
<b>Type K</b>	\$13.25	\$16.80	\$20.35	\$23.90	\$27.45	\$31.00	\$34.55	\$38.10	\$41.65	\$45.2	\$48.75	\$52.30
<b>Type T</b>	\$12.75	\$13.50	\$18.25	\$23.00	\$27.75	\$32.50	\$37.25	\$42.00	\$46.75	\$51.5	\$56.25	\$61.00
<b>2 Wire RTD</b>	\$53.65	\$58.40	\$63.15	\$67.90	\$72.65	\$77.40	\$82.15	\$86.90	\$91.65	\$96.4	\$101.1	\$105.9
<b>3 Wire RTD</b>	\$54.50	\$60.10	\$65.70	\$71.30	\$76.90	\$82.50	\$88.10	\$93.70	\$99.30	\$104.	\$110.5	\$116.1

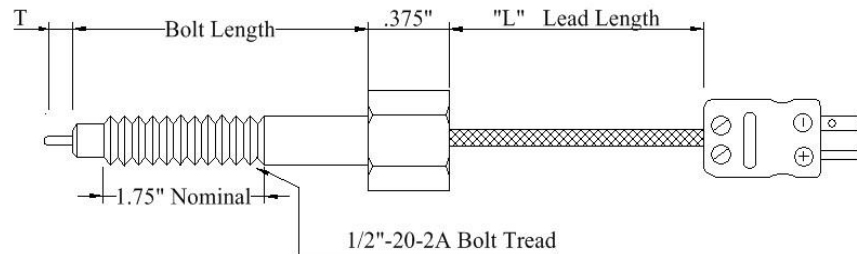
**Thermocouple Options**

1/8" NPT bayonet fitting.....	\$9.70		
Ungrounded construction.....	\$4.75		
Over 6" additional sheath length (per inch).....	\$1.00		
Dual element construction not including extra lead length (grounded only).....	\$3.55		
20 gauge J TC adder per foot.....	\$5.55		
BX Connector.....	\$7.35		
Standard Plug J.....	\$11.90	Mini Plug J.....	\$11.90
Standard Jack J.....	\$11.90	Mini Jack J.....	\$11.90
Standard Plug K.....	\$13.00	Mini Plug K.....	\$13.00
Standard Jack K.....	\$13.00	Mini Jack K.....	\$13.00
Standard Plug RTD.....	\$14.05	Mini Plug RTD.....	\$14.05
Standard Jack RTD.....	\$14.05	Mini Jack RTD.....	\$14.05

# Fixed Melt Bolt Thermocouples Type MBF and Type MBR

## 1/8" Tip Diameter. 1/2-20 UNF Thread.

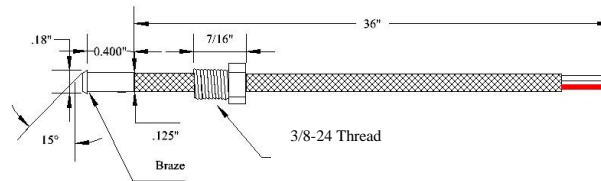
### Grounded Junction. Polarized Plug



HTI PART NUMBER	BOLT LENGTH	TIP LENGTH	DESCRIPTION	TYPE	LIST PRICE
JMBF3-GA-24R2	3'	FLUSH	Flexible extension	J	\$66.50
JMBF3-GB-24R2	3'	1/8"	Flexible extension	J	\$66.50
JMBF3-GC-24R2	3'	3/16"	Flexible extension	J	\$66.50
JMBF6-GA-24R2	6'	FLUSH	Flexible extension	J	\$86.95
JMBF6-GB-24R2	6'	1/8"	Flexible extension	J	\$86.95
JMBF6-GC-24R2	6'	3/16"	Flexible extension	J	\$86.95
JMBF9-GA-24R2	9'	FLUSH	Flexible extension	J	\$148.30
JMBF9-GB-24R2	9'	1/8"	Flexible extension	J	\$148.30
JMBF9-GC-24R2	9'	3/16"	Flexible extension	J	\$148.30
KMBF3-GA-24R2	3'	FLUSH	Flexible extension	K	\$66.50
KMBF3-GB-24R2	3'	1/8"	Flexible extension	K	\$66.50
KMBF3-GC-24R2	3'	3/16"	Flexible extension	K	\$66.50
KMBF6-GA-24R2	6'	FLUSH	Flexible extension	K	\$86.95
KMBF6-GB-24R2	6'	1/8"	Flexible extension	K	\$86.95
KMBF6-GC-24R2	6'	3/16"	Flexible extension	K	\$86.95
JMBR3-GA-24R2	3'	FLUSH	Rigid extension	J	\$66.50
JMBR3-GB-24R2	3'	1/8"	Rigid extension	J	\$66.50
JMBR3-GC-24R2	3'	3/16"	Rigid extension	J	\$66.50
JMBR6-GA-24R2	6'	FLUSH	Rigid extension	J	\$86.95
JMBR6-GB-24R2	6'	1/8"	Rigid extension	J	\$86.95
JMBR6-GC-24R2	6'	3/16"	Rigid extension	J	\$86.95
JMBR9-GA-24R2	9'	FLUSH	Rigid extension	J	\$148.30
JMBR9-GB-24R2	9'	1/8"	Rigid extension	J	\$148.30
JMBR9-GC-24R2	9'	3/16"	Rigid extension	J	\$148.30
KMBR3-GA-24R2	3'	FLUSH	Rigid extension	K	\$66.50
KMBR3-GB-24R2	3'	1/8"	Rigid extension	K	\$66.50
KMBR3-GC-24R2	3'	3/16"	Rigid extension	K	\$66.50
KMBR6-GA-24R2	6'	FLUSH	Rigid extension	K	\$86.95
KMBR6-GB-24R2	6'	1/8"	Rigid extension	K	\$86.95
KMBR6-GC-24R2	6'	3/16"	Rigid extension	K	\$86.95

## Retractable Melt Thermocouples Type J or RTD Models 1/8" diam. 1/8" to 1 inch immersion range. 1/2"-20 UNF thread

HTI PART NUMBER	DESCRIPTION	LIST PRICE
RM-4222-03	3" Retractable Melt Bolt TC with exposed tip.	\$213.50
RM-4222-05	5" Retractable Melt Bolt TC with exposed tip.	\$255.35
RM-4222-07	7" Retractable Melt Bolt TC with exposed tip.	\$297.50
RE-4222-03	3" Replacement Element	\$172.65
RE-4222-05	5" Replacement Element	\$188.50
RE-4222-07	7" Replacement Element	\$240.75
RTD-4222-03	3" Retractable Melt Bolt RTD	\$338.40
RTD-4222-05	5" Retractable Melt Bolt RTD	\$377.05
RTD-4222-07	7" Retractable Melt Bolt RTD	\$413.35
RTD-RE03	3" Replacement RTD Element	\$281.60
RTD-RE05	5" Replacement RTD Element	\$322.50
RTD-RE-07	7" Replacement RTD Element	\$365.65

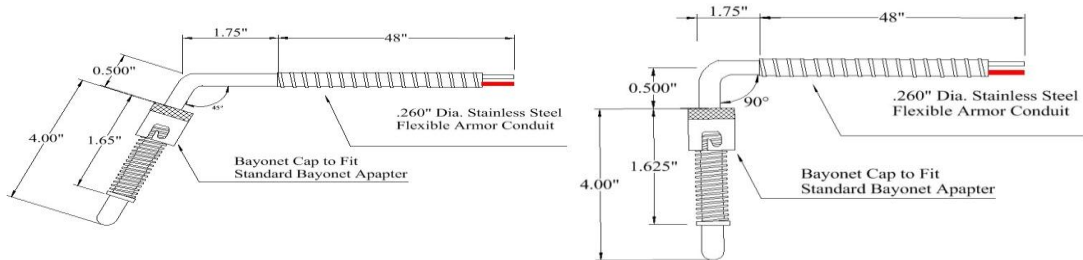


## Shallow Nozzle Thermocouples Type NZ SS Overbraided. Spade Lugs. All grounded

HTI PART NUMBER	TYPE	THREAD SIZE	LEAD LENGTH	LIST PRICE
JNZ48-G1-24R1	J	1/4-28 NF	48"	\$21.15
JNZ72-G1-24R1	J	1/4-28 NF	72"	\$26.35
KNZ48-G1-24R1	K	1/4-28 NF	48"	\$24.40
KNZ72-G1-24R1	K	1/4-28 NF	72"	\$31.50

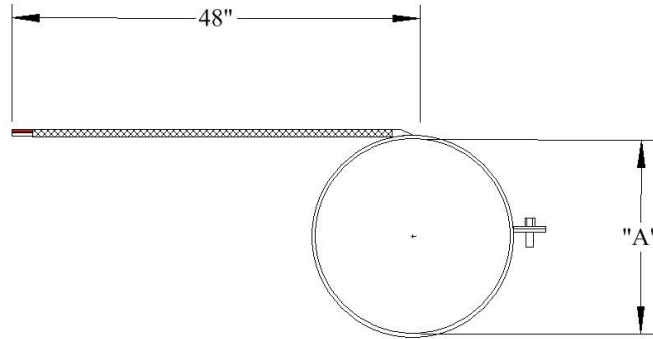
# Stock Fixed Depth Thermocouples

## 3/16" Diameter Probe. SS Armor. 2 1/2" Fixed Depth. Type TC, 45TC, 90TC



HTI PART NUMBER	STYLE	LEAD ENGTH	LIST PRICE
JTC48-G2-24R1	Straight J	48"	\$30.00
JTC60-G2-24R1	Straight J	60"	\$33.80
JTC72-G2-24R1	Straight J	72"	\$37.60
JTC120-G2-24R1	Straight J	120"	\$52.80
KTC48-G2-24R1	Straight K	48"	\$36.75
KTC60-G2-24R1	Straight K	60"	\$41.10
KTC72-G2-24R1	Straight K	72"	\$45.45
KTC120-G2-24R1	Straight K	120"	\$62.85
J45TC48-G5-24R1	45 bend J	48"	\$30.80
J45TC60-G5-24R1	45 bend J	60"	\$34.70
J45TC72-G5-24R1	45 bend J	72"	\$38.60
J45TC120-G5-24R1	45 bend J	120"	\$54.20
K45TC48-G5-24R1	45 bend K	48"	\$35.65
K45TC60-G5-24R1	45 bend K	60"	\$40.00
K45TC72-G5-24R1	45 bend K	72"	\$44.35
K45TC120-G5-24R1	45 bend K	120"	\$61.75
J90TC48-G5-24R1	90 bend J	48"	\$30.80
J90TC60-G5-24R1	90 bend J	60"	\$34.70
J90TC72-G5-24R1	90 bend J	72"	\$38.60
J90TC120-G5-24R1	90 bend J	120"	\$54.20
K90TC48-G5-24R1	90 bend K	48"	\$35.65
K90TC60-G5-24R1	90 bend K	60"	\$40.00
K90TC72-G5-24R1	90 bend K	72"	\$44.35
K90TC120-G5-24R1	90 bend K	120"	\$61.75

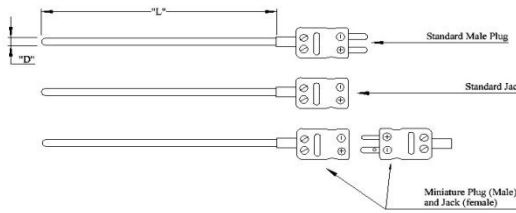
Stock Nissei Nozzle Thermocouples Type NS  
30, 40 and 50 mm. Type J and K.  
48" Stainless Steel Overbraid



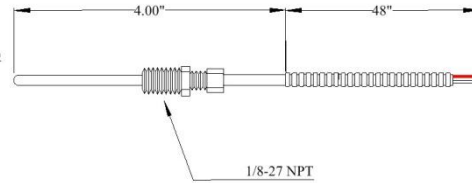
HTI PART NUMBER	TYPE	DIAMETER MM	LEAD LENGTH	LIST PRICE
JNS48-G1-24R1	J	30	48"	\$26.50
JNS72-G1-24R1	J	30	72"	\$31.70
JNS144-G1-24R1	J	30	144"	\$47.30
JNS48-G1.5-24R1	J	40	48"	\$26.50
JNS72-G1.5-24R1	J	40	72"	\$31.70
JNS144-G1.5-24R1	J	40	144"	\$47.30
JNS48-G2-24R1	J	50	48"	\$26.50
JNS72-G2-24R1	J	50	72"	\$31.70
JNS144-G2-24R1	J	50	144"	\$47.30
KNS48-G1-24R1	K	30	48"	\$29.90
KNS72-G1-24R1	K	30	72"	\$37.00
KNS144-G1-24R1	K	30	144"	\$58.30
KNS48-G1.5-24R1	K	40	48"	\$29.90
KNS72-G1.5-24R1	K	40	72"	\$37.00
KNS144-G1.5-24R1	K	40	144"	\$58.30
KNS48-G2-24R1	K	50	48"	\$29.90
KNS72-G2-24R1	K	50	72"	\$37.00
KNS144-G2-24R1	K	50	144"	\$58.30

# MgO Insulated Thermocouples

MgO with Plug



MgO with Double Compression and Armor



MGO PROBES	.062' DIAMETER		.125' DIAMETER		.187" DIAMETER		.250' DIAMETER	
Sheath Material	1st 6'	Ea. Add'l 6"	1st 6'	Ea. Add'l 6"	1st 6'	Ea. Add'l 6"	1st 6'	Ea. Add'l 6"
304 SS Type J	\$13.85	\$3.65	\$14.75	\$4.10	\$18.20	\$6.30	\$22.40	\$8.85
304 SS Type K	\$13.85	\$3.65	\$14.75	\$4.10	\$18.20	\$6.30	\$22.40	\$8.85
316 SS Type J	\$13.85	\$3.65	\$14.75	\$4.10	\$18.95	\$6.70	\$23.10	\$9.30
316 SS Type K	\$13.85	\$3.65	\$14.75	\$4.10	\$18.95	\$6.70	\$22.40	\$8.85
Inconel Type J	\$20.65	\$7.80	\$19.80	\$7.25	\$24.85	\$10.40	\$33.30	\$15.55
Inconel Type K	\$16.45	\$5.20	\$18.20	\$6.30	\$18.20	\$6.30	\$30.85	\$14.05
Dual Element 304 SS Type J	Consult Factory	Consult Factory	Consult Factory	Consult Factory	Consult Factory	Consult Factory	\$26.65	\$11.50
Dual Element 304 SS Type K	Consult Factory	Consult Factory	Consult Factory	Consult Factory	Consult Factory	Consult Factory	\$26.65	\$11.50

Lead Adder			
Leads	1st 12"	Each Add'l 12"	Adder for Strain Relief Spring
Type J 24 ga. Fiberglass Bare Leads	\$22.60	\$1.40	\$3.45
Type K 24 ga. Fiberglass Bare Leads	\$23.80	\$1.80	\$3.45
Type J 24 ga. Fiberglass SS Braided Leads	\$23.10	\$1.75	\$3.45
Type K 24 ga. Fiberglass SS Braided Leads	\$24.00	\$2.25	\$3.45
Type J 24 ga. Fiberglass Leads with SS Conduit	\$26.65	\$3.80	\$3.45
Type K 24 ga. Fiberglass Leads with SS Conduit	\$27.15	\$4.10	\$3.45

Junction Options	
Grounded Construction	No Charge
Ungrounded Construction	\$2.15
Sheath Bend	\$2.15

## MgO Insulated Thermocouples Options (Continued)

<b>TERMINATIONS</b>	
Split Ends	No Charge
Spade Lugs	\$2.15
Type J Standard Plug or Jack	\$11.90
Type K Standard Plug or Jack	\$13.00
Type J Mini Plug or Jack	\$11.90
Type K Mini Plug or Jack	\$13.00
Plug or Jack Secured with Cable Clamp	\$5.40
Aluminum Head with Terminal Block. Includes 316 SS NPT Fitting	\$84.35
1/2" x 1/2 316 SS NPT for Head	\$25.95

<b>NPT FITTING</b>				
THREAD	MATERIAL	SHEATH O.D. IN.	NPT IN.	PRICE
Single	304 SS	.062" - .250"	1/8	\$14.05
Single	304 SS	.188" - .250"	1/4	\$15.15
Single	304 SS	.125" - .250"	1/2	\$18.40
Double	304 SS	.125" - .250"	1/2	\$21.65

<b>NON- ADJUSTABLE COMPRESSION FITTINGS</b>				
THREAD	MATERIAL	SHEATH O.D. IN.	NPT IN.	PRICE
Single	Brass	.062" - .250"	1/8	\$2.15
Single	304 SS	.062" - .250"	1/8	\$2.15

<b>ADJUSTABLE COMPRESSION FITTINGS</b>				
THREAD	MATERIAL	SHEATH O.D. IN.	NPT IN.	PRICE
Single	304 SS	.062" - .188"	1/8	\$38.95
Single	304 SS	.188"	1/4	\$64.90

# MI Thermocouples

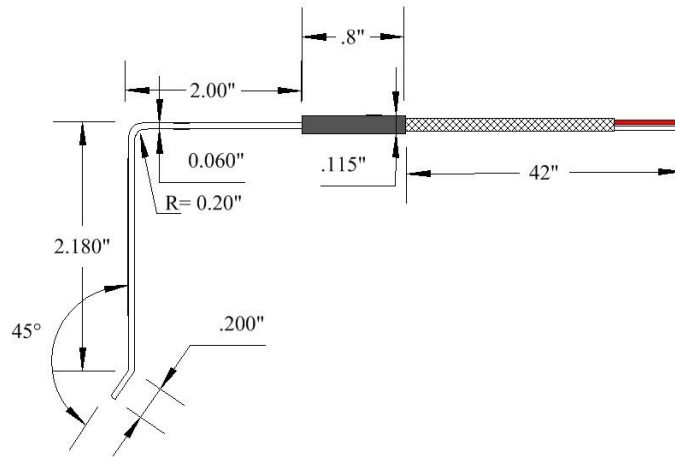
## 1mm (.039") Diameter

DIAMETER	"L" (MM)	HTI PART	LIST PRICE
1MM (.039)	50mm	HHTC1.0X50	\$37.00
1MM (.039)	75mm	HTC1.0X75	\$39.00
1MM (.039)	100mm	HTC1.0X100	\$41.00
1MM (.039)	110mm	HTC1.0X110	\$43.00
1MM (.039)	120mm	HTC1.0X120	\$43.00
1MM (.039)	130mm	HTC1.0X130	\$43.00
1MM (.039)	140mm	HTC1.0X140	\$43.00
1MM (.039)	150mm	HTC1.0X150	\$43.00
1MM (.039)	160mm	HTC1.0X160	\$43.00
1MM (.039)	170mm	HTC1.0X170	\$43.00
1MM (.039)	180mm	HTC1.0X180	\$43.00
1MM (.039)	190mm	HTC1.0X190	\$43.00
1MM (.039)	200mm	HTC1.0X200	\$45.00
1MM (.039)	210mm	HTC1.0X210	\$45.00
1MM (.039)	220mm	HTC1.0X220	\$45.00
1MM (.039)	230mm	HTC1.0X230	\$45.00
1MM (.039)	240mm	HTC1.0X240	\$45.00
1MM (.039)	250mm	HTC1.0X250	\$45.00
1MM (.039)	260mm	HTC1.0X260	\$45.00
1MM (.039)	270mm	HTC1.0X270	\$45.00
1MM (.039)	280mm	HTC1.0X280	\$45.00
1MM (.039)	290mm	HTC1.0X290	\$45.00
1MM (.039)	300mm	HTC1.0X300	\$45.00

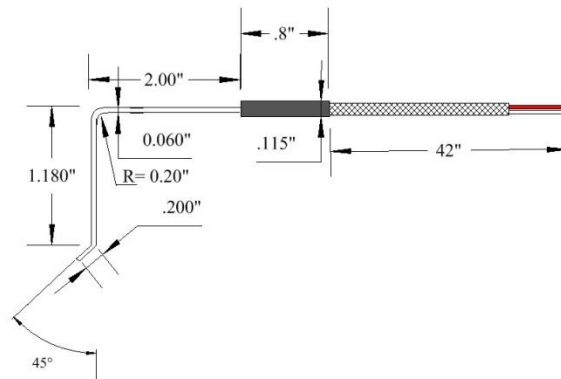
## 1.5mm (.060") Diameter

DIAMETER	"L" (MM)	HTI PART	LIST PRICE
1.5MM (.060")	50mm	HHTC1.5X50	\$37.00
1.5MM (.060")	75mm	HTC1.5X75	\$39.00
1.5MM (.060")	100mm	HTC1.5X100	\$41.00
1.5MM (.060")	110mm	HTC1.5X110	\$43.00
1.5MM (.060")	120mm	HTC1.5X120	\$43.00
1.5MM (.060")	130mm	HTC1.5X130	\$43.00
1.5MM (.060")	140mm	HTC1.5X140	\$43.00
1.5MM (.060")	150mm	HTC1.5X150	\$43.00
1.5MM (.060")	160mm	HTC1.5X160	\$43.00
1.5MM (.060")	170mm	HTC1.5X170	\$43.00
1.5MM (.060")	180mm	HTC1.5X180	\$43.00
1.5MM (.060")	190mm	HTC1.5X190	\$43.00
1.5MM (.060")	200mm	HTC1.5X200	\$45.00
1.5MM (.060")	210mm	HTC1.5X210	\$45.00
1.5MM (.060")	220mm	HTC1.5X220	\$45.00
1.5MM (.060")	230mm	HTC1.5X230	\$45.00
1.5MM (.060")	240mm	HTC1.5X240	\$45.00
1.5MM (.060")	250mm	HTC1.5X250	\$45.00
1.5MM (.060")	260mm	HTC1.5X260	\$45.00
1.5MM (.060")	270mm	HTC1.5X270	\$45.00
1.5MM (.060")	280mm	HTC1.5X280	\$45.00
1.5MM (.060")	290mm	HTC1.5X290	\$45.00
1MM (.039)	300mm	HTC1.5X300	\$45.00

# OEM DME Replacement Thermocouples

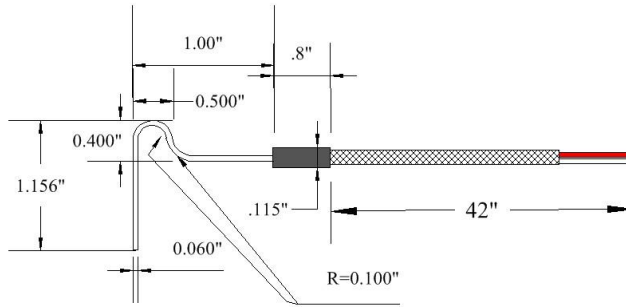


OEM PART NUMBER	HTI PART NUMBER	LIST PRICE
TC0001	HTC0001	\$35.00

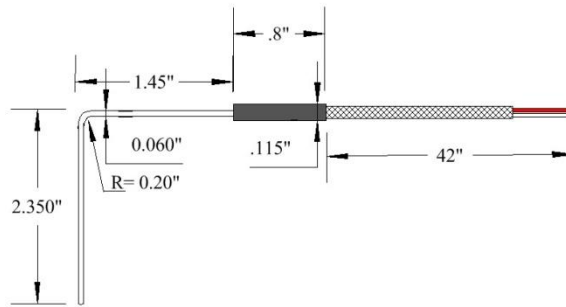


OEM PART NUMBER	HTI PART NUMBER	LIST PRICE
TC0002	HTC0002	\$35.00

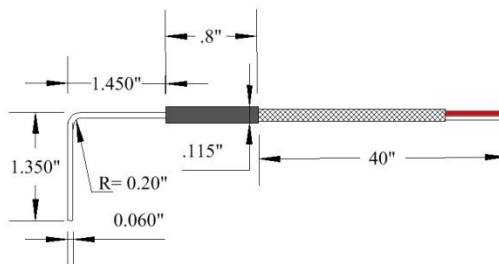
# OEM DME Replacement Thermocouples



OEM PART NUMBER	HTI PART NUMBER	LIST PRICE
TC0003	HTC0003	\$35.00

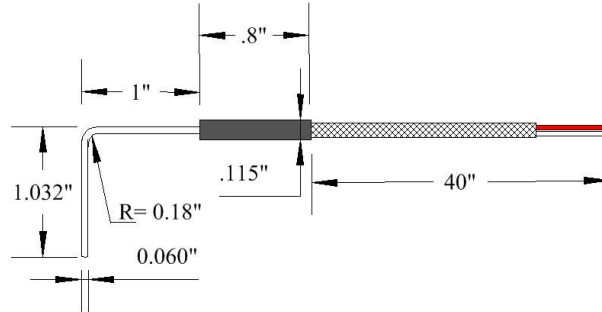


OEM PART NUMBER	HTI PART NUMBER	LIST PRICE
TC-9700	HTC-9700	\$35.00

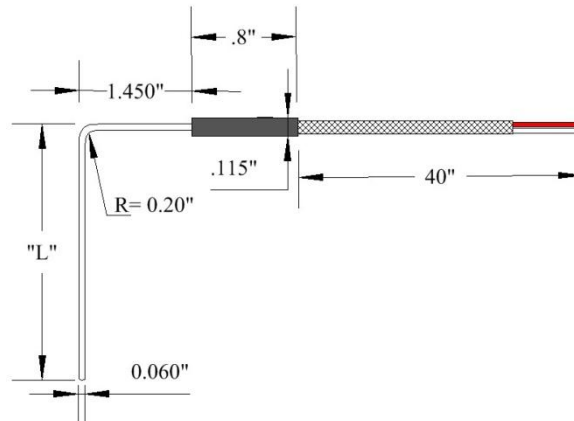


OEM PART NUMBER	HTI PART NUMBER	LIST PRICE
TC-9600	HTC-9600	\$35.00

# OEM DME Replacement Thermocouples

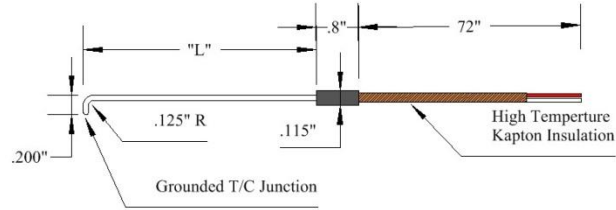


OEM PART NUMBER	HTI PART NUMBER	LIST PRICE
TCG0100	HTCG0100	\$35.00



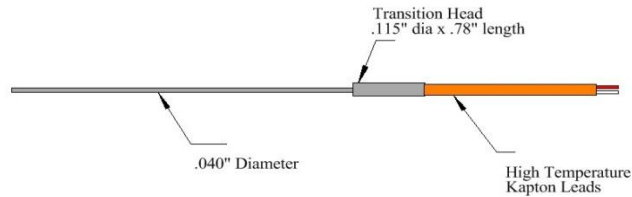
"L" (IN)	OEM PART NUMBER	HTI PART NUMBER	LIST PRICE
1.17	TCG0060	HTCG0060	\$27.50
1.67	TCG0061	HTCG0061	\$27.50
2.17	TCG0062	HTCG0062	\$27.50
2.67	TCG0063	HTCG0063	\$28.86
3.17	TCG0064	HTCG0064	\$28.86
4.17	TCG0065	HTCG0065	\$28.86
5.17	TCG0066	HTCG0066	\$28.86

## OEM Husky Replacement Thermocouples



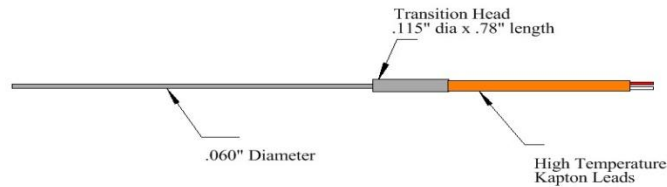
"L" (IN)	OEM PART NUMBER	HTI PART NUMBER	LIST PRICE
4.00	535037	HT-535037	\$37.00
5.00	535038	HT-535038	\$39.00
6.00	535002	HT-535002	\$41.00
8.00	535681	HT-535681	\$43.00
10.00	535709	HT-535709	\$45.00

## OEM Mold Master Thermocouples 1mm (.039") Diameter



DIAMETER	"L" (MM)	MOLD MASTER PART	HTI PART	LIST PRICE
1MM (.039)	50mm	TC1.0X50	HHTC1.0X50	\$37.00
1MM (.039)	75mm	TC1.0X75	HTC1.0X75	\$39.00
1MM (.039)	100mm	TC1.0X100	HTC1.0X100	\$41.00
1MM (.039)	110mm	TC1.0X110	HTC1.0X110	\$43.00
1MM (.039)	120mm	TC1.0X120	HTC1.0X120	\$43.00
1MM (.039)	130mm	TC1.0X130	HTC1.0X130	\$43.00
1MM (.039)	140mm	TC1.0X140	HTC1.0X140	\$43.00
1MM (.039)	150mm	TC1.0X150	HTC1.0X150	\$43.00
1MM (.039)	160mm	TC1.0X160	HTC1.0X160	\$43.00
1MM (.039)	170mm	TC1.0X170	HTC1.0X170	\$43.00
1MM (.039)	180mm	TC1.0X180	HTC1.0X180	\$43.00
1MM (.039)	190mm	TC1.0X190	HTC1.0X190	\$43.00
1MM (.039)	200mm	TC1.0X200	HTC1.0X200	\$45.00
1MM (.039)	210mm	TC1.0X210	HTC1.0X210	\$45.00
1MM (.039)	220mm	TC1.0X220	HTC1.0X220	\$45.00
1MM (.039)	230mm	TC1.0X230	HTC1.0X230	\$45.00
1MM (.039)	240mm	TC1.0X240	HTC1.0X240	\$45.00
1MM (.039)	250mm	TC1.0X250	HTC1.0X250	\$45.00
1MM (.039)	260mm	TC1.0X260	HTC1.0X260	\$45.00
1MM (.039)	270mm	TC1.0X270	HTC1.0X270	\$45.00
1MM (.039)	280mm	TC1.0X280	HTC1.0X280	\$45.00
1MM (.039)	290mm	TC1.0X290	HTC1.0X290	\$45.00
1MM (.039)	300mm	TC1.0X300	HTC1.0X300	\$45.00

## OEM Mold Master Thermocouples 1.5mm (.060") Diameter



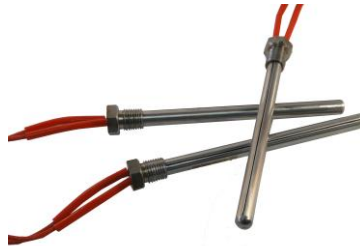
DIAMETER	"L" (MM)	MOLD MASTER PART	HIGH-TEMP PART	LIST PRICE
1.5MM (.060")	50mm	TC1.5X50	HHTC1.5X50	\$37.00
1.5MM (.060")	75mm	TC1.5X75	HTC1.5X75	\$39.00
1.5MM (.060")	100mm	TC1.5X100	HTC1.5X100	\$41.00
1.5MM (.060")	110mm	TC1.5X110	HTC1.5X110	\$43.00
1.5MM (.060")	120mm	TC1.5X120	HTC1.5X120	\$43.00
1.5MM (.060")	130mm	TC1.5X130	HTC1.5X130	\$43.00
1.5MM (.060")	140mm	TC1.5X140	HTC1.5X140	\$43.00
1.5MM (.060")	150mm	TC1.5X150	HTC1.5X150	\$43.00
1.5MM (.060")	160mm	TC1.5X160	HTC1.5X160	\$43.00
1.5MM (.060")	170mm	TC1.5X170	HTC1.5X170	\$43.00
1.5MM (.060")	180mm	TC1.5X180	HTC1.5X180	\$43.00
1.5MM (.060")	190mm	TC1.5X190	HTC1.5X190	\$43.00
1.5MM (.060")	200mm	TC1.5X200	HTC1.5X200	\$45.00
1.5MM (.060")	210mm	TC1.5X210	HTC1.5X210	\$45.00
1.5MM (.060")	220mm	TC1.5X220	HTC1.5X220	\$45.00
1.5MM (.060")	230mm	TC1.5X230	HTC1.5X230	\$45.00
1.5MM (.060")	240mm	TC1.5X240	HTC1.5X240	\$45.00
1.5MM (.060")	250mm	TC1.5X250	HTC1.5X250	\$45.00
1.5MM (.060")	260mm	TC1.5X260	HTC1.5X260	\$45.00
1.5MM (.060")	270mm	TC1.5X270	HTC1.5X270	\$45.00
1.5MM (.060")	280mm	TC1.5X280	HTC1.5X280	\$45.00
1.5MM (.060")	290mm	TC1.5X290	HTC1.5X290	\$45.00
1MM (.039)	300mm	TC1.5X300	HTC1.5X300	\$45.00

# High-Temp Industries

## Other Quality Products



Cartridge Heaters



Split Sheath Heaters



Cast in Coil Heaters



Platinum Heaters



Nozzle Heaters



Cast Heaters



Tubular Heaters



Ceramic Band Heaters



PID Controllers



Thermocouples



Hot Runner Cables



Hot Runner Controllers

And more.....[www.high-temp.com](http://www.high-temp.com)