

High-Temp Industries

Superior Quality
Comprehensive Services
Unequaled Value

Tubular Heaters 2012

Phone 215-794-0864

Fax 215-794-7583

www.high-temp.com

Table of Contents

Flexible Tubular Heaters for Hot Runner Manifolds.....	3
Flexible Tubular Heaters 6.5mm Diameter.....	4
Flexible Tubular Heaters 8mm (.315") Diameter.....	5
Flexible Tubular Heaters 8.5mm (.334") Diameter.....	6
Tubular Heating Elements.....	7
Tubular "U" Shape Heating Elements.....	7
"U" Shape Tubular Heating Element with Bulkhead Fittings	7
Finned Tubular Heating Elements.....	7
Finned "U" Shape Tubular Heating Elements.....	7
Finned "U" Shape Tubular Heating Element with Bulkhead Fittings.....	7
Finned "U" Shape Tubular Heating Elements.....	7
Finned "U" Shape Tubular Heating Elements with Bulkhead Fittings	7

Flexible Tubular Heaters for Hot Runner Manifolds



High-Temp Industries' HighFlex Heaters are the new standard in tubular heating elements and the best choice for immediate, durable high-performance replacement heaters. Available with same-day shipping in 6.5 mm, 8.0 mm, 8.5 mm, and 11 mm diameter sizes, HighFlex Heaters eliminate costly downtime associated with waiting for custom bent tubular heaters. Once received, simply install and resume production. OEMs that have standardized on HighFlex heaters have reduced lead time for manifolds and plates requiring bent tubular heaters.

HighFlex Heaters are easily stored and improve thermal performance compared to traditional tubular heaters. Our heaters have improved heat transfer and do not expand when installed. Installation cannot be any easier -simply start in the middle of your mold channel, forming first at the marked center location of the HighFlex, then tap in place with a Teflon or rubber mallet working your way to each end.



Flexible Tubular Heaters 6.5mm Diameter

HTI Part Number	Diameter (mm)	Length (mm)	Length (in)	Volts	Watts	Connection Type	Price
HT65D300T	6.5	300	12	230	350	M2.5	\$68.65
HT65D350T	6.5	350	14	230	400	M2.5	\$71.15
HT65D400T	6.5	400	16	230	500	M2.5	\$77.15
HT65D450T	6.5	450	18	230	600	M2.5	\$83.15
HT65D500T	6.5	500	20	230	650	M2.5	\$91.25
HT65D550T	6.5	550	22	230	700	M2.5	\$97.55
HT65D600T	6.5	600	24	230	800	M2.5	\$104.25
HT65D650T	6.5	650	26	230	850	M2.5	\$111.85
HT65D700T	6.5	700	28	230	900	M2.5	\$119.65
HT65D750T	6.5	750	30	230	1000	M2.5	\$123.25
HT65D800T	6.5	800	31	230	1100	M2.5	\$129.55
HT65D850T	6.5	850	33	230	1200	M2.5	\$135.75
HT65D900T	6.5	900	35	230	1300	M2.5	\$142.85
HT65D950T	6.5	950	37	230	1350	M2.5	\$149.45
HT65D1000T	6.5	1000	39	230	1400	M2.5	\$156.15
HT65D1050T	6.5	1050	41	230	1450	M2.5	\$165.05
HT65D1100T	6.5	1100	43	230	1500	M2.5	\$171.95
HT65D1150T	6.5	1150	45	230	1550	M2.5	\$177.25
HT65D1200T	6.5	1200	47	230	1600	M2.5	\$184.25
HT65D1250T	6.5	1250	49	230	1650	M2.5	\$190.95
HT65D1300T	6.5	1300	51	230	1700	M2.5	\$197.85
HT65D1350T	6.5	1350	53	230	1800	M2.5	\$206.45
HT65D1400T	6.5	1400	55	230	1900	M2.5	\$211.35
HT65D1450T	6.5	1450	57	230	2000	M2.5	\$218.05
HT65D1500T	6.5	1500	59	230	2100	M2.5	\$224.75

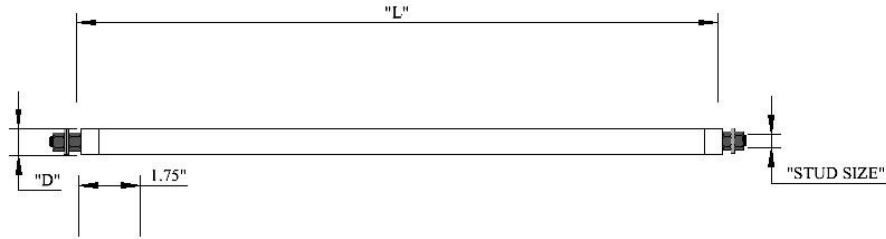
Flexible Tubular Heaters 8mm (.315") Diameter

HTI Part Number	Diameter (mm)	Length (mm)	Length (in)	Volts	Watts	Connection Type	Price
HT8D400T	8	400	16	240	795	M4	\$68.65
HT8D450T	8	450	18	240	910	M4	\$71.15
HT8D500T	8	500	20	240	1025	M4	\$77.15
HT8D550T	8	550	22	240	1145	M4	\$83.15
HT8D600T	8	600	24	240	1260	M4	\$91.25
HT8D6550T	8	650	26	240	1380	M4	\$97.55
HT8D700T	8	700	28	240	1495	M4	\$104.25
HT8D750T	8	750	30	240	1615	M4	\$111.85
HT8D800T	8	800	31	240	1730	M4	\$119.65
HT8D850T	8	850	33	240	1845	M4	\$123.25
HT8D900T	8	900	35	240	1960	M4	\$129.55
HT8D950T	8	950	37	240	2080	M4	\$133.75
HT8D1000T	8	1000	39	240	2195	M4	\$139.85
HT8D1050T	8	1050	41	240	2316	M4	\$142.45
HT8D1100T	8	1100	43	240	2430	M4	\$146.15
HT8D1150T	8	1150	45	240	2545	M4	\$149.05
HT8D1200T	8	1200	47	240	2665	M4	\$151.95
HT8D1250T	8	1250	49	240	2780	M4	\$157.25
HT8D1300T	8	1300	51	240	2895	M4	\$164.25
HT8D1350T	8	1350	53	240	3015	M4	\$170.95
HT8D1400T	8	1400	55	240	3130	M4	\$174.85
HT8D1450T	8	1450	57	240	3245	M4	\$179.45
HT8D1500T	8	1500	59	240	3365	M4	\$185.35
HT8D1550T	8	1550	61	240	3480	M4	\$188.05
HT8D1600T	8	1600	63	240	3600	M4	\$194.75

Flexible Tubular Heaters 8.5mm (.334") Diameter

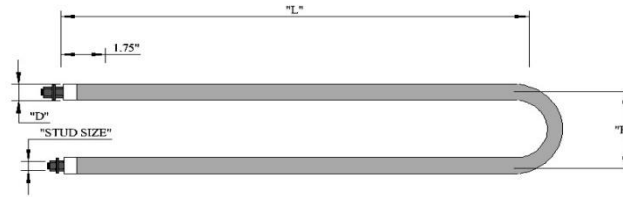
HTI Part Number	Diameter (mm)	Length (mm)	Length (in)	Volts	Watts	Connection Type	List Price
HT85D300T	8.5	300	12	230	650	M2.5	\$68.65
HT85D350T	8.5	350	14	230	750	M2.5	\$71.15
HT85D400T	8.5	400	16	230	900	M2.5	\$77.15
HT85D450T	8.5	450	18	230	1050	M2.5	\$83.15
HT85D500T	8.5	500	20	230	1150	M2.5	\$91.25
HT85D550T	8.5	550	22	230	1300	M2.5	\$97.55
HT85D600T	8.5	600	24	230	1450	M2.5	\$104.25
HT85D650T	8.5	650	26	230	1600	M2.5	\$111.85
HT85D700T	8.5	700	28	230	1750	M2.5	\$119.65
HT85D750T	8.5	750	30	230	1900	M2.5	\$123.25
HT85D800T	8.5	800	31	230	2050	M2.5	\$129.55
HT85D850T	8.5	850	33	230	2200	M2.5	\$133.75
HT85D900T	8.5	900	35	230	2350	M2.5	\$139.85
HT85D950T	8.5	950	37	230	2500	M2.5	\$142.45
HT85D1000T	8.5	1000	39	230	2650	M2.5	\$146.15
HT85D1050T	8.5	1050	41	230	2800	M2.5	\$149.05
HT85D1100T	8.5	1100	43	230	2930	M2.5	\$151.95
HT85D1150T	8.5	1150	45	230	3060	M2.5	\$157.25
HT85D1200T	8.5	1200	47	230	3190	M2.5	\$164.25
HT85D1250T	8.5	1250	49	230	3320	M2.5	\$170.95
HT85D1300T	8.5	1300	51	230	3450	M2.5	\$174.85
HT85D1350T	8.5	1350	53	230	3680	M2.5	\$179.45
HT85D1400T	8.5	1400	55	230	3710	M2.5	\$185.35
HT85D1450T	8.5	1450	57	230	3840	M2.5	\$188.05
HT85D1500T	8.5	1500	59	230	3970	M2.5	\$194.75

Tubular Heating Elements



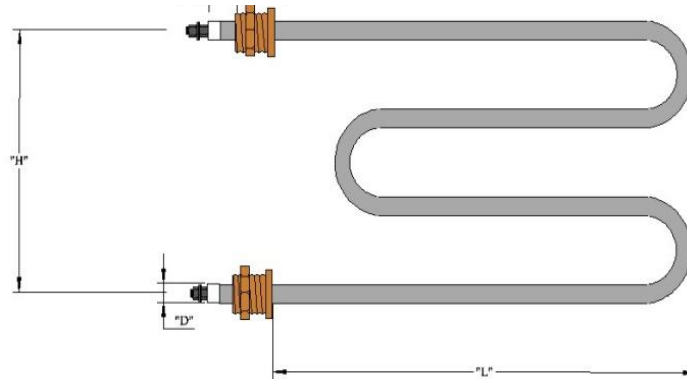
"L" DIMENSION		VOLTAGE	WATTAGE	PRICE
INCHES	MM			
11.81	300	240	300	\$ 34.72
15.75	400	240	300	\$ 36.72
19.7	500	240	500	\$ 38.72
23.65	600	240	600	\$ 40.81
27.6	700	240	700	\$ 42.90
31.5	800	240	800	\$ 44.80
35.45	900	240	900	\$ 46.72
39.4	1000	240	1000	\$ 48.70
43.3	1100	240	1100	\$ 50.66
47.25	1200	240	1200	\$ 52.72
51.2	1300	240	1300	\$ 54.82
55.1	1400	240	1400	\$ 56.88
59	1500	240	1500	\$ 58.88
62.99	1600	240	1600	\$ 60.91
67	1700	240	1700	\$ 62.84
70.8	1800	240	1800	\$ 64.89
74.8	1900	240	1900	\$ 66.83
78.75	2000	240	2000	\$ 68.92
82.7	2100	240	2100	\$ 70.25
86.6	2200	240	2200	\$ 72.62
90.55	2300	240	2300	\$ 74.92
94.5	2400	240	2400	\$ 76.89
98.5	2500	240	2500	\$ 78.92
102.35	2600	240	2600	\$ 80.59
106.3	2700	240	2700	\$ 82.68
110.25	2800	240	2800	\$ 84.68
114.2	2900	240	2900	\$ 86.89
118.15	3000	240	3000	\$ 88.99

Tubular "U" Shape Heating Elements



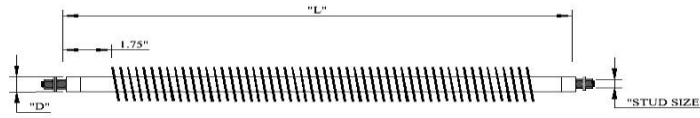
"L" DIMENSION		"H"		VOLTS	WATTS	PRICE
INCH	MM	INCH	MM			
10.85	275	2.75	70	240	600	\$ 58.72
14.75	375	2.75	70	240	700	\$ 60.81
16.75	425	2.75	70	240	800	\$ 62.90
18.7	475	2.75	70	240	900	\$ 64.80
20.66	525	2.75	70	240	1000	\$ 66.72
22.63	575	2.75	70	240	1100	\$ 68.70
24.6	625	2.75	70	240	1200	\$ 70.66
26.6	675	2.75	70	240	1300	\$ 72.72
28.55	725	2.75	70	240	1400	\$ 74.82
30.5	775	2.75	70	240	1500	\$ 76.88
32.5	825	2.75	70	240	1600	\$ 78.88
34.44	875	2.75	70	240	1700	\$ 80.91
36.41	925	2.75	70	240	1800	\$ 82.84
38.4	975	2.75	70	240	1900	\$ 84.89
40.35	1025	2.75	70	240	2000	\$ 86.83
42.32	1075	2.75	70	240	2100	\$ 88.92
44.3	1125	2.75	70	240	2200	\$ 90.25
46.25	1175	2.75	70	240	2300	\$ 92.62
48.25	1225	2.75	70	240	2400	\$ 94.92
50.2	1275	2.75	70	240	2500	\$ 96.89
53.15	1350	2.75	70	240	2600	\$ 98.92
55.2	1400	2.75	70	240	2700	\$ 100.59
57.1	1450	2.75	70	240	2800	\$ 102.68
59.1	1500	2.75	70	240	2900	\$ 104.68
62	1575	2.75	70	240	3000	\$ 106.89
65	1650	2.75	70	240	3500	\$ 108.99

“U” Shape Tubular Heating Element with Bulkhead Fittings



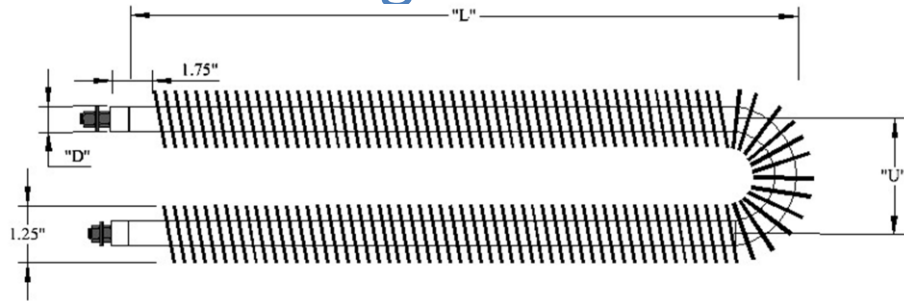
"L" DIMENSION		TUBULAR DIAMETER		"H"		VOLTS	WATTS	PRICE
INCH	MM	INCH	MM	INCH	MM			
3.93	100	0.4	10	5.9	150	240	800	\$ 69.33
4.92	125	0.4	10	5.9	150	240	1000	\$ 73.33
5.9	150	0.4	10	5.9	150	240	1300	\$ 75.78
6.88	175	0.4	10	5.9	150	240	1500	\$ 77.60
7.88	200	0.4	10	5.9	150	240	1800	\$ 79.89
8.85	225	0.4	10	5.9	150	240	2000	\$ 81.59
9.84	250	0.4	10	5.9	150	240	2250	\$ 83.86
10.82	275	0.4	10	5.9	150	240	2500	\$ 85.49
11.81	300	0.4	10	5.9	150	240	2750	\$ 87.96
12.8	325	0.4	10	5.9	150	240	3000	\$ 89.89
13.8	350	0.4	10	5.9	150	240	3250	\$ 81.56
14.75	375	0.4	10	5.9	150	240	3500	\$ 83.89
15.75	400	0.4	10	5.9	150	240	3750	\$ 85.99

Finned Tubular Heating Elements



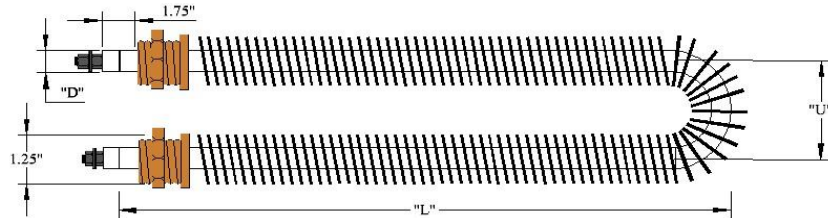
"L" DIMENSION		TUBULAR DIAMETER		FIN DIAMETER		VOLTAGE	WATTAGE	LIST PRICE
INCHES	MM	INCHES	MM	INCHES	MM			
11.81	300	0.629	16	1.33	34	240	300	\$ 44.72
15.75	400	0.629	16	1.33	34	240	300	\$ 46.72
19.7	500	0.629	16	1.33	34	240	500	\$ 48.72
23.65	600	0.629	16	1.33	34	240	600	\$ 50.81
27.6	700	0.629	16	1.33	34	240	700	\$ 52.90
31.5	800	0.629	16	1.33	34	240	800	\$ 54.80
35.45	900	0.629	16	1.33	34	240	900	\$ 56.72
39.4	1000	0.629	16	1.33	34	240	1000	\$ 58.70
43.3	1100	0.629	16	1.33	34	240	1100	\$ 60.66
47.25	1200	0.629	16	1.33	34	240	1200	\$ 62.72
51.2	1300	0.629	16	1.33	34	240	1300	\$ 64.82
55.1	1400	0.629	16	1.33	34	240	1400	\$ 66.88
59	1500	0.629	16	1.33	34	240	1500	\$ 68.88
62.99	1600	0.629	16	1.33	34	240	1600	\$ 70.91
67	1700	0.629	16	1.33	34	240	1700	\$ 72.84
70.8	1800	0.629	16	1.33	34	240	1800	\$ 74.89
74.8	1900	0.629	16	1.33	34	240	1900	\$ 76.83
78.75	2000	0.629	16	1.33	34	240	2000	\$ 78.92
82.7	2100	0.629	16	1.33	34	240	2100	\$ 80.25
86.6	2200	0.629	16	1.33	34	240	2200	\$ 82.62
90.55	2300	0.629	16	1.33	34	240	2300	\$ 84.92
94.5	2400	0.629	16	1.33	34	240	2400	\$ 86.89
98.5	2500	0.629	16	1.33	34	240	2500	\$ 88.92
102.35	2600	0.629	16	1.33	34	240	2600	\$ 90.59
106.3	2700	0.629	16	1.33	34	240	2700	\$ 92.68
110.25	2800	0.629	16	1.33	34	240	2800	\$ 94.68
114.2	2900	0.629	16	1.33	34	240	2900	\$ 96.89
118.15	3000	0.629	16	1.33	34	240	3000	\$ 98.99

Finned "U" Shape Tubular Heating Elements



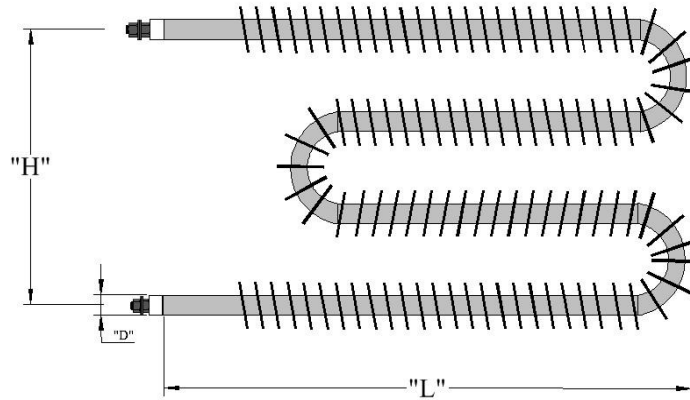
"L" DIMENSION		TUBULAR DIAMETER		"H"		FIN DIAMETER		VOLTS	WATTS	PRICE
INCH	MM	INCH	MM	INCH	MM	INCH	MM			
10.85	275	0.629	16	2.75	70	1.33	34	240	600	\$ 68.72
14.75	375	0.629	16	2.75	70	1.33	34	240	700	\$ 70.81
16.75	425	0.629	16	2.75	70	1.33	34	240	800	\$ 72.90
18.7	475	0.629	16	2.75	70	1.33	34	240	900	\$ 74.80
20.66	525	0.629	16	2.75	70	1.33	34	240	1000	\$ 76.72
22.63	575	0.629	16	2.75	70	1.33	34	240	1100	\$ 78.70
24.6	625	0.629	16	2.75	70	1.33	34	240	1200	\$ 80.66
26.6	675	0.629	16	2.75	70	1.33	34	240	1300	\$ 82.72
28.55	725	0.629	16	2.75	70	1.33	34	240	1400	\$ 84.82
30.5	775	0.629	16	2.75	70	1.33	34	240	1500	\$ 86.88
32.5	825	0.629	16	2.75	70	1.33	34	240	1600	\$ 88.88
34.44	875	0.629	16	2.75	70	1.33	34	240	1700	\$ 90.91
36.41	925	0.629	16	2.75	70	1.33	34	240	1800	\$ 92.84
38.4	975	0.629	16	2.75	70	1.33	34	240	1900	\$ 94.89
40.35	1025	0.629	16	2.75	70	1.33	34	240	2000	\$ 96.83
42.32	1075	0.629	16	2.75	70	1.33	34	240	2100	\$ 98.92
44.3	1125	0.629	16	2.75	70	1.33	34	240	2200	\$ 100.25
46.25	1175	0.629	16	2.75	70	1.33	34	240	2300	\$ 102.62
48.25	1225	0.629	16	2.75	70	1.33	34	240	2400	\$ 104.92
50.2	1275	0.629	16	2.75	70	1.33	34	240	2500	\$ 106.89
53.15	1350	0.629	16	2.75	70	1.33	34	240	2600	\$ 108.92
55.2	1400	0.629	16	2.75	70	1.33	34	240	2700	\$ 110.59
57.1	1450	0.629	16	2.75	70	1.33	34	240	2800	\$ 112.68
59.1	1500	0.629	16	2.75	70	1.33	34	240	2900	\$ 114.68
62	1575	0.629	16	2.75	70	1.33	34	240	3000	\$ 116.89
65	1650	0.629	16	2.75	70	1.33	34	240	3500	\$ 118.99

Finned "U" Shape Tubular Heating Element with Bulkhead Fittings



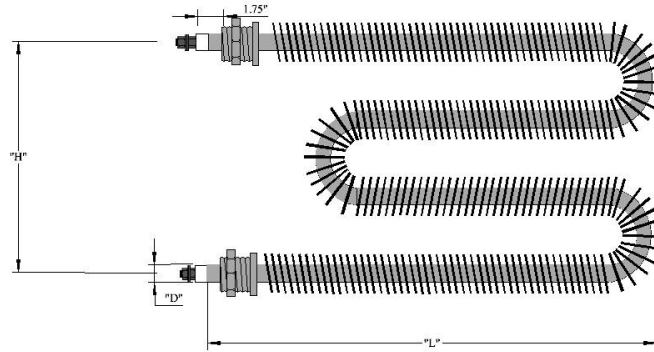
"L" DIMENSION		TUBULAR DIAMETER		"H"		FIN DIAMETER		VOLTS	WATTS	PRICE
INCH	MM	INCH	MM	INCH	MM	INCH	MM			
10.85	275	0.629	16	2.75	70	1.33	34	240	600	\$ 78.72
14.75	375	0.629	16	2.75	70	1.33	34	240	700	\$ 80.81
16.75	425	0.629	16	2.75	70	1.33	34	240	800	\$ 82.90
18.7	475	0.629	16	2.75	70	1.33	34	240	900	\$ 84.80
20.66	525	0.629	16	2.75	70	1.33	34	240	1000	\$ 86.72
22.63	575	0.629	16	2.75	70	1.33	34	240	1100	\$ 88.70
24.6	625	0.629	16	2.75	70	1.33	34	240	1200	\$ 90.66
26.6	675	0.629	16	2.75	70	1.33	34	240	1300	\$ 92.72
28.55	725	0.629	16	2.75	70	1.33	34	240	1400	\$ 94.82
30.5	775	0.629	16	2.75	70	1.33	34	240	1500	\$ 96.88
32.5	825	0.629	16	2.75	70	1.33	34	240	1600	\$ 98.88
34.44	875	0.629	16	2.75	70	1.33	34	240	1700	\$ 100.91
36.41	925	0.629	16	2.75	70	1.33	34	240	1800	\$ 102.84
38.4	975	0.629	16	2.75	70	1.33	34	240	1900	\$ 104.89
40.35	1025	0.629	16	2.75	70	1.33	34	240	2000	\$ 106.83
42.32	1075	0.629	16	2.75	70	1.33	34	240	2100	\$ 108.92
44.3	1125	0.629	16	2.75	70	1.33	34	240	2200	\$ 110.25
46.25	1175	0.629	16	2.75	70	1.33	34	240	2300	\$ 112.62
48.25	1225	0.629	16	2.75	70	1.33	34	240	2400	\$ 114.92
50.2	1275	0.629	16	2.75	70	1.33	34	240	2500	\$ 116.89
53.15	1350	0.629	16	2.75	70	1.33	34	240	2600	\$ 118.92
55.2	1400	0.629	16	2.75	70	1.33	34	240	2700	\$ 120.59
57.1	1450	0.629	16	2.75	70	1.33	34	240	2800	\$ 122.68
59.1	1500	0.629	16	2.75	70	1.33	34	240	2900	\$ 124.68
62	1575	0.629	16	2.75	70	1.33	34	240	3000	\$ 126.89
65	1650	0.629	16	2.75	70	1.33	34	240	3500	\$ 128.99

Finned "U" Shape Tubular Heating Elements



"L" DIMENSION		TUBULAR DIAMETER		"H"		FIN DIAMETER		VOLTS	WATTS	PRICE
INCH	MM	INCH	MM	INCH	MM	INCH	MM			
3.93	100	0.4	10	5.9	150	1.33	34	240	800	\$ 51.33
4.92	125	0.4	10	5.9	150	1.33	34	240	1000	\$ 53.33
5.9	150	0.4	10	5.9	150	1.33	34	240	1300	\$ 55.78
6.88	175	0.4	10	5.9	150	1.33	34	240	1500	\$ 57.60
7.88	200	0.4	10	5.9	150	1.33	34	240	1800	\$ 59.89
8.85	225	0.4	10	5.9	150	1.33	34	240	2000	\$ 61.59
9.84	250	0.4	10	5.9	150	1.33	34	240	2250	\$ 63.86
10.82	275	0.4	10	5.9	150	1.33	34	240	2500	\$ 65.49
11.81	300	0.4	10	5.9	150	1.33	34	240	2750	\$ 67.96
12.8	325	0.4	10	5.9	150	1.33	34	240	3000	\$ 69.89
13.8	350	0.4	10	5.9	150	1.33	34	240	3250	\$ 71.56
14.75	375	0.4	10	5.9	150	1.33	34	240	3500	\$ 73.89
15.75	400	0.4	10	5.9	150	1.33	34	240	3750	\$ 75.99

Finned "U" Shape Tubular Heating Elements with Bulkhead Fittings



"L" DIMENSION		TUBULAR DIAMETER		"H"		FIN DIAMETER		VOLTS	WATTS	PRICE
INCH	MM	INCH	MM	INCH	MM	INCH	MM			
3.93	100	0.4	10	5.9	150	1.33	34	240	800	\$ 59.33
4.92	125	0.4	10	5.9	150	1.33	34	240	1000	\$ 63.33
5.9	150	0.4	10	5.9	150	1.33	34	240	1300	\$ 65.78
6.88	175	0.4	10	5.9	150	1.33	34	240	1500	\$ 67.60
7.88	200	0.4	10	5.9	150	1.33	34	240	1800	\$ 69.89
8.85	225	0.4	10	5.9	150	1.33	34	240	2000	\$ 71.59
9.84	250	0.4	10	5.9	150	1.33	34	240	2250	\$ 73.86
10.82	275	0.4	10	5.9	150	1.33	34	240	2500	\$ 75.49
11.81	300	0.4	10	5.9	150	1.33	34	240	2750	\$ 77.96
12.8	325	0.4	10	5.9	150	1.33	34	240	3000	\$ 79.89
13.8	350	0.4	10	5.9	150	1.33	34	240	3250	\$ 81.56
14.75	375	0.4	10	5.9	150	1.33	34	240	3500	\$ 83.89
15.75	400	0.4	10	5.9	150	1.33	34	240	3750	\$ 85.99

High-Temp Industries

Other Quality Products



Cartridge Heaters



Split Sheath Heaters



Cast in Coil Heaters



Platinum Heaters



Nozzle Heaters



Cast Heaters



Tubular Heaters



Ceramic Band Heaters



PID Controllers



Thermocouples



Hot Runner Cables



Hot Runner Controllers

And more.....www.high-temp.com